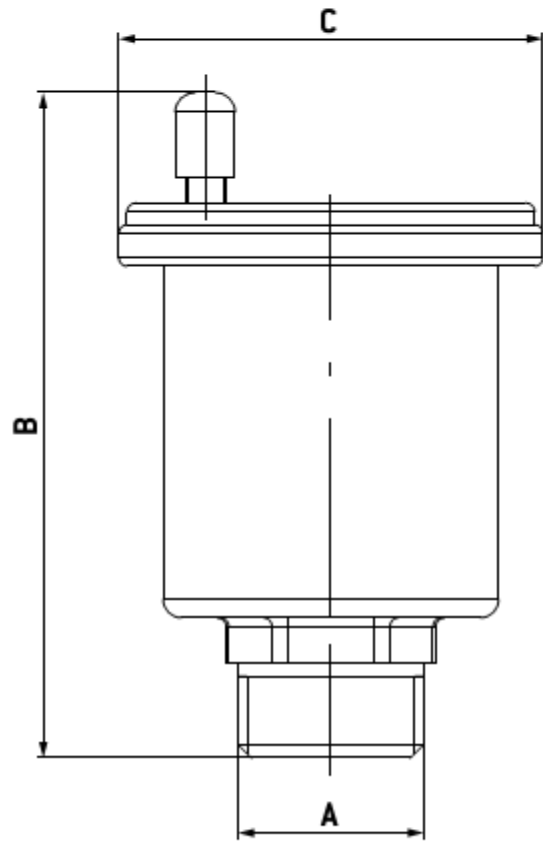


3620...

RELIEF VALVE

PRESSURE REDUCERS

- Automatic relief valve
- Maximum operating pressure: 10 BAR
- Temperature range: 5-110°C
- Finish: yellow and nickel-plated



DIMENSIONS:

| A | B | C |
|------|----|----|
| 1/4" | 76 | 46 |
| 3/8" | 76 | 46 |
| 1/2" | 76 | 46 |

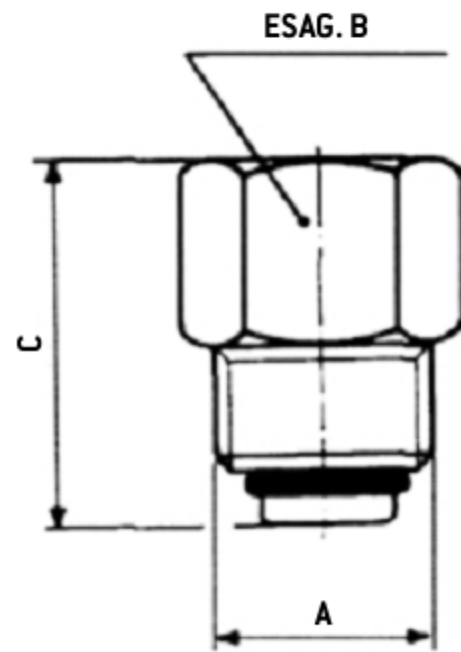
PACKAGING:

| | 1/4" | 3/8" | 1/2" |
|-------------------|-----------|-----------|-----------|
| NICKEL-PLATED | 36200002 | 36200003 | 36200004 |
| YELLOW | 36200002G | 36200003G | 36200004G |
| PIECES PER BOX | 16 | 16 | 16 |
| PIECES PER CARTON | 160 | 160 | 160 |

3621...

AUTOMATIC SHUT-OFF VALVE

PRESSURE REDUCERS



- Automatic shut-off valve

DIMENSIONS:

| A | B | C |
|------|----|----|
| 3/8" | 19 | 25 |
| 1/2" | 23 | 25 |

PACKAGING:

| | 3/8" | 1/2" |
|-------------------|----------|----------|
| CODE | 36210003 | 36210004 |
| PIECES PER BOX | 50 | 50 |
| PIECES PER CARTON | 1000 | 1000 |