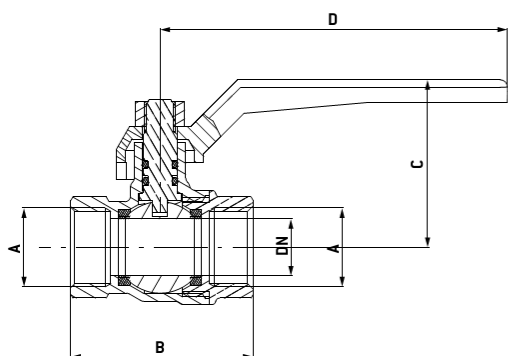
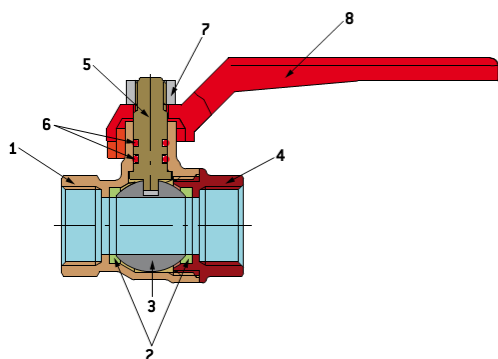
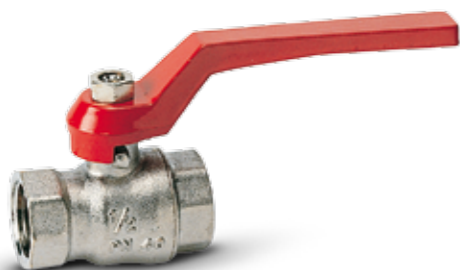


7600...

TAMIGI

WATER BALL VALVES



- F/F ball valve with aluminium lever
- Thread: ISO 228
- Temperature range:  $-10^{\circ}\text{C}$  to  $+95^{\circ}\text{C}$

This valve is particularly indicated for distributing and shutting off generally non-corrosive fluids that are compatible with the valve materials.

Excellent fields of application are in plant engineering for plumbing and heating, industry and agriculture.

It is a full-bore valve, and ball seal is provided by two PTFE seats.

Seal of the stem is provided by two NBR O-rings with the stem mounted from inside and a bottom-loaded system.

It is advisable to perform a complete manoeuvring cycle at least once every 3 months to prevent the formation of limescale, which would affect operation.

#### COMPONENTS:

POSN.	PART NAME	No. Pcs.	MATERIAL
1	Body	1	CW617N UNI-EN 12165 Nickel-plated
2	Seal	2	PTFE
3	Ball	1	CW617N UNI-EN 12165 Chrome-plated
4	End connection	1	CW617N UNI-EN 12165 Nickel-plated
5	Stem	1	CW617N UNI-EN 12164
6	O-ring	2	NBR
7	Nut	1	Galvanised iron
8	Lever	1	Lacquered aluminium

#### DIMENSIONS:

DN	A	B	C	D	PN	KV*
8	1/4"	39	39	92	40	—
10	3/8"	39	39	92	40	—
15	1/2"	49	45	92	40	10,05
20	3/4"	55	49	92	40	24,56
25	1"	65	56	115	40	51,21
32	1.1/4"	77	69	125	30	68,65
40	1.1/2"	90	80	150	30	98,83
50	2"	104	87	150	30	177,04

\*PRESSURE DROP SEE CHART ON Page 52-53

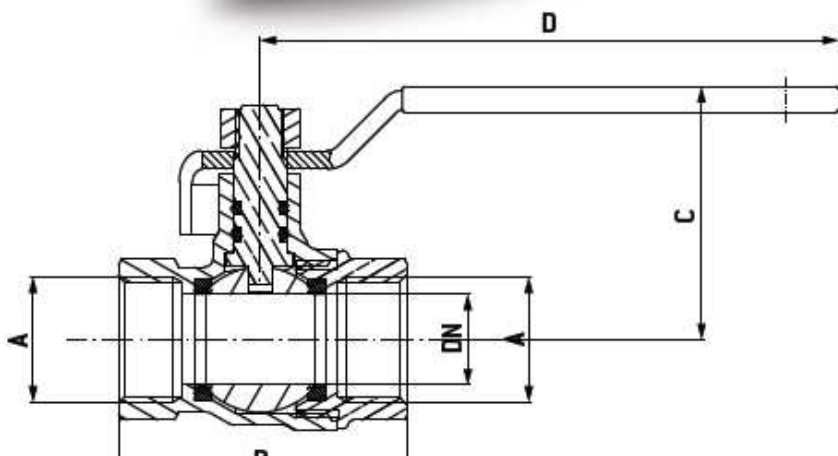
#### PACKAGING:

	1/4"	3/8"	1/2"	3/4"	1"	1.1/4"	1.1/2"	2"
CODE	76000202R	76000203R	76000204R	76000206R	76000208R	76000210R	76000211R	76000213R
PIECES PER BOX	25	25	20	15	10	—	—	—
PIECES PER CARTON	300	300	200	150	100	30	18	18

**760001...**

**TAMIGI**

WATER BALL VALVES



- F/F ball valve with iron lever
- Thread: ISO 228
- Temperature range:  $-10^{\circ}\text{C}$  to  $+95^{\circ}\text{C}$

**DIMENSIONS:**

DN	A	B	C	D	PN	KV*
8	1/4"	39	36	87	40	—
10	3/8"	39	36	87	40	—
15	1/2"	49	39	87	40	10,05
20	3/4"	55	42	87	40	24,56
25	1"	65	52	120	40	51,21
32	1.1/4"	77	64	120	30	68,65
40	1.1/2"	90	80	150	30	98,83
50	2"	104	87	150	30	177,04