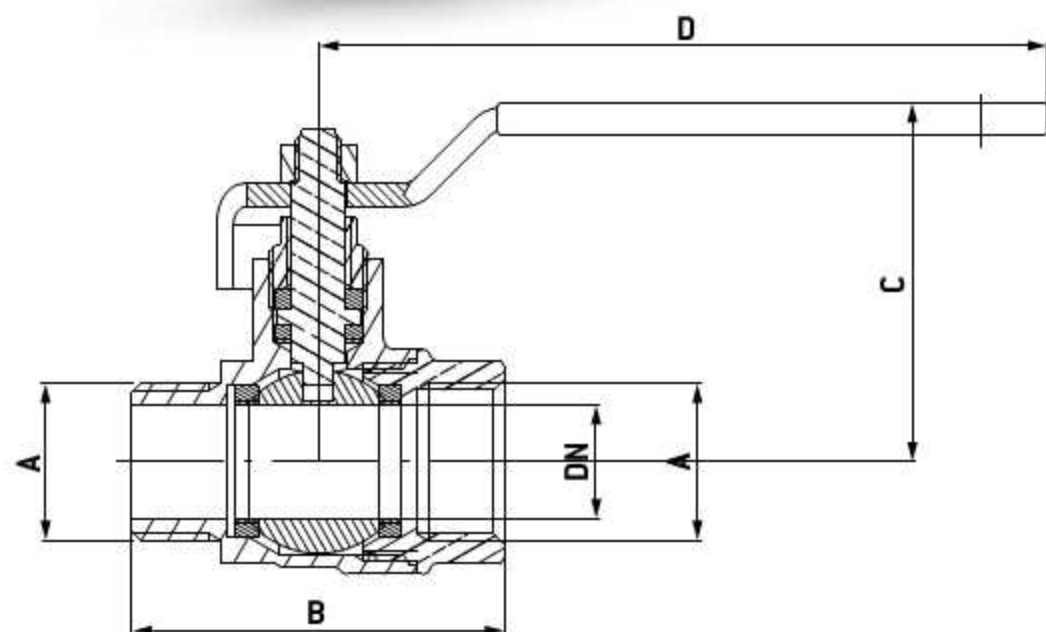
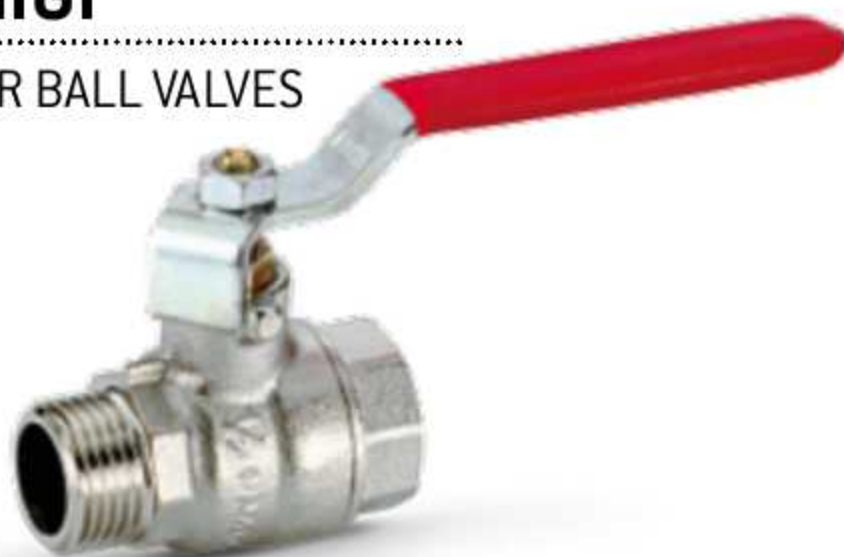


760501...

TAMIGI

WATER BALL VALVES



- M/F ball valve with iron lever
- Thread: ISO 228
- Temperature range: -10°C to +95°C

DIMENSIONS:

DN	A	B	C	D	PN	KV*
10	3/8"	39	43	87	40	-
15	1/2"	51	45	87	40	10,05
20	3/4"	58	47	87	40	24,56
25	1"	67	59	120	40	51,21
32	1.1/4"	79	72	120	30	68,65
40	1.1/2"	92	88	150	30	98,83
50	2"	107	97	150	30	177,04

*PRESSURE DROP SEE CHART ON Page 52-53

PACKAGING:

	3/8"	1/2"	3/4"	1"	1.1/4"	1.1/2"	2"
CODE	76050103R	76050104R	76050106R	76050108R	76050110R	76050111R	76050113R
PIECES PER BOX	25	20	15	10	-	-	-
PIECES PER CARTON	300	200	150	100	25	18	18