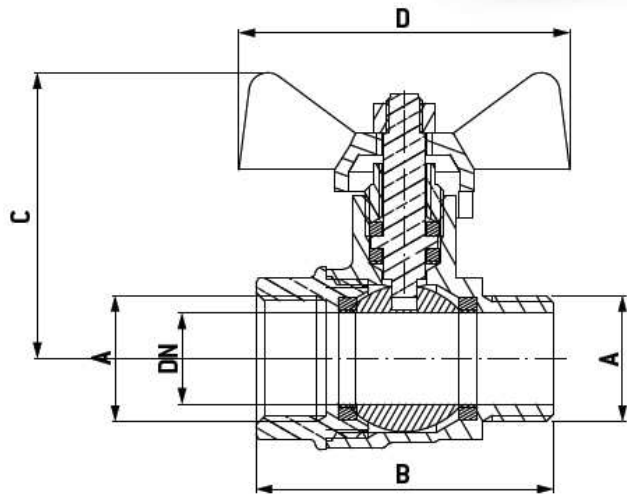


7607...

TAMIGI

WATER BALL VALVES



- M/F ball valve with "T" handle
- Thread: ISO 228
- Temperature range: -10°C to $+95^{\circ}\text{C}$

DIMENSIONS:

DN	A	B	C	D	PN	KV*
10	1/4"	42	40	45	40	–
10	3/8"	39	42	50	40	–
15	1/2"	51	47	50	40	10,05
20	3/4"	58	51	50	40	24,56
25	1"	67	57	67	40	51,21