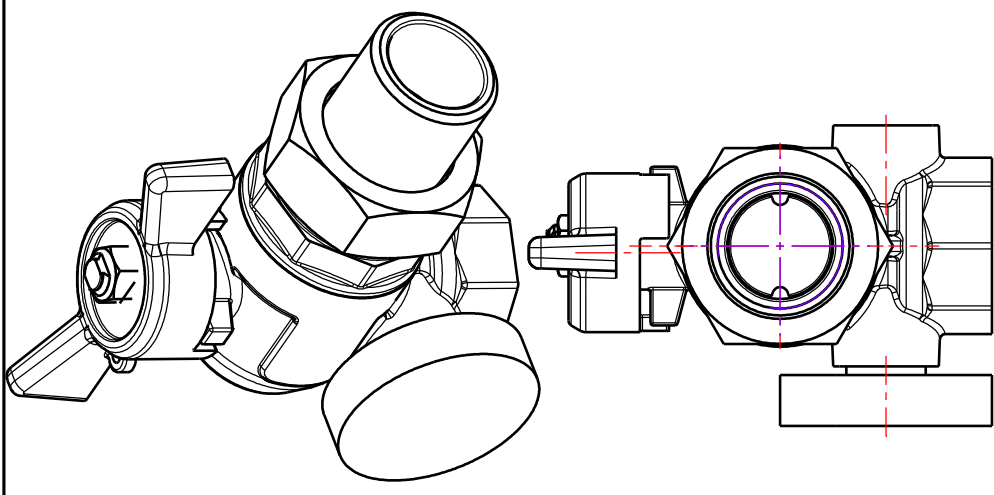
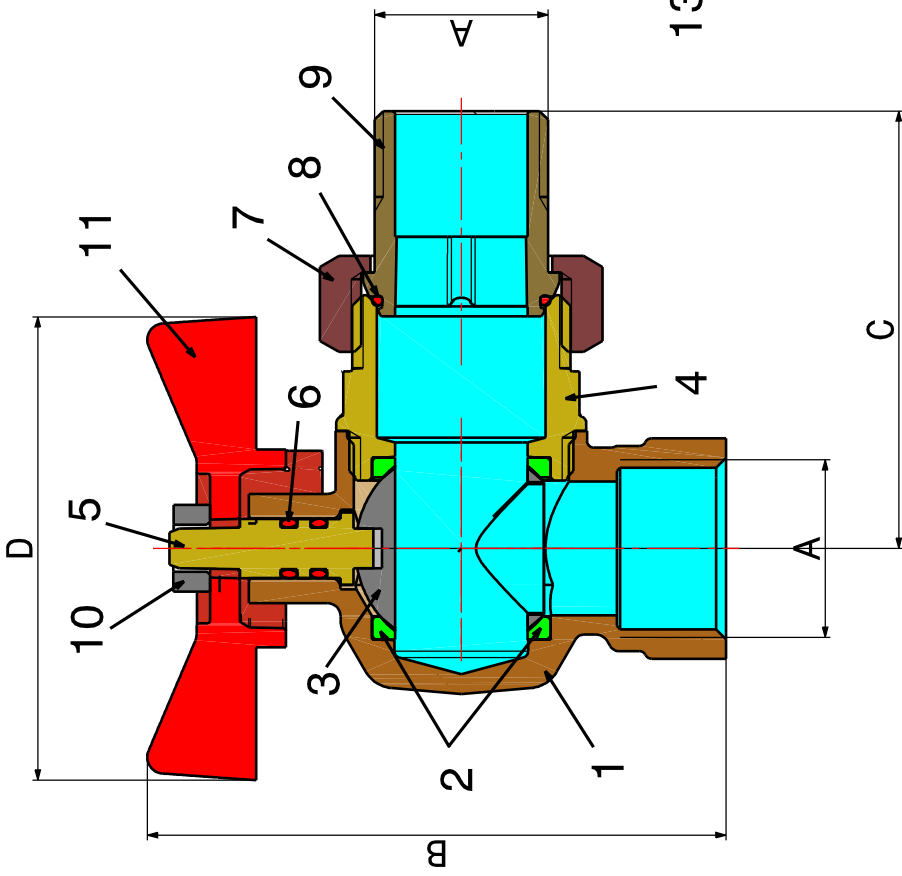
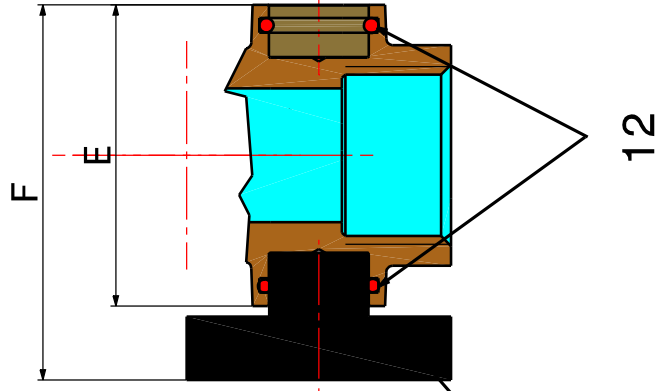


7660 FF ANGLE BALL VALVE WITH CONNECTOR AND THERMOMETER



THREAD EN10226
 TEMPERATURE RANGE : 0°C - MAX +95°C
 LEVER : RED AND BLUE

DN	A	B	C	D	E	F	PN
25	1"	98.5	71	67	50.3	61.5	40



POS.	DESCRIZIONE	N°	MATERIALE
13	THERMOMETER	1	PLASTIC AND BRASS
12	GASKET	2	NBR
11	LEVER	1	LACQUERED ALUMINIUM
10	NUT	1	GALVANISED IRON
9	CONNECTOR	1	CW617N UNI-EN 12165 Nickel-plated
8	O-RING	2	NBR
7	NUT	1	CW617N UNI-EN 12165 Nickel-plated
5	STERN	1	CW614N UNI-EN 12164
4	END CONNECTION	1	CW617N UNI-EN 12165 Nickel-plated
3	BALL	1	CW617N UNI-EN 12165 Chromed
2	SEAL	2	PTFE
1	BODY	1	CW617N UNI-EN 12165 Nickel-plated
	DESCRIZIONE	N°	MATERIALE

DENOMINAZIONE -----

Tolleranze Lineari: DATA -----

Tolleranze Lineari	MATERIALE	DATA
<30 ± 0,1	---	---
>30/120 ± 0,15	---	---
>120/400 ± 0,2	---	---
>400 ± 0,3	---	---

ART. DISEG. -----

DIS. -----

CONTROLLO -----

Idrosanitaria Bonomi S.p.A.

7660

STATO LAVOR.	TORN.	DIS.	CONTROLLO	---	---	---
---	---	---	---	---	---	---

CODICE DISEGNO ESP. NOTE