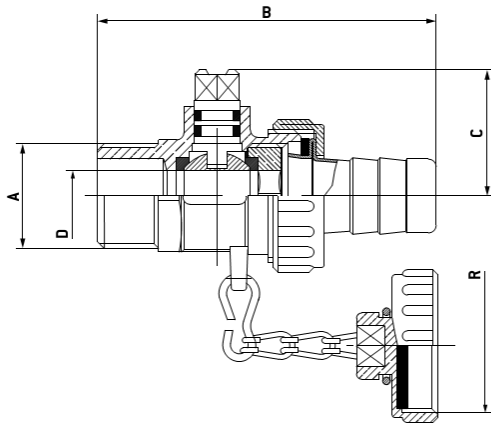
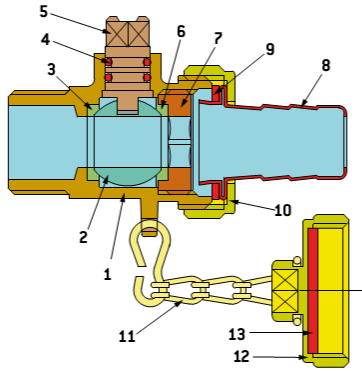


7756...**BOILER DRAIN VALVE**

BOILER DRAIN VALVES



- 1/2" boiler drain valve with operating key in cap
- Finish: sandblasted
- Thread: ISO 228
- Temperature range: 0°C to +90°C

This valve is particularly indicated for shutting off generally non-corrosive fluids that are compatible with the valve materials. An excellent field of application is in plant engineering for plumbing and heating, especially as a means for discharging the heat carrier in the heating plant.

It is a reduced-bore valve and ball seal is provided by two PTFE seats.

Seal of the manoeuvring part is provided by two NBR O-rings with the stem mounted from inside and a bottom-loaded system.

It is advisable to perform a complete manoeuvring cycle at least once every 3 months to prevent the formation of limescale, which would affect operation.

COMPONENTS:

| POSN. | PART NAME | No. Pcs. | MATERIAL |
|-------|-----------------------|----------|-----------------------------------|
| 1 | Body | 1 | CW617N UNI-EN 12165 |
| 2 | Ball | 1 | CW617N UNI-EN 12164 Chrome-plated |
| 3 | Seal | 1 | PTFE |
| 4 | O-ring | 2 | NBR |
| 5 | Stem | 1 | CW617N UNI-EN 12164 |
| 6 | Shaped retaining ring | 1 | PTFE |
| 7 | Ring | 1 | CW617N UNI-EN 12164 |
| 8 | Hose connection | 1 | CW508L UNI-EN 1652 |
| 9 | Pipe gasket | 1 | NBR |
| 10 | Fly nut | 1 | CW617N UNI-EN 12165 |
| 11 | Chain | 1 | Brass iron |
| 12 | Cap | 1 | CW617N UNI-EN 12165 |
| 13 | Cap gasket | 1 | NBR |

DIMENSIONS:

| DN | A | B | C | D | R | PN |
|----|------|----|----|----|------|----|
| 15 | 1/2" | 67 | 25 | 10 | 3/4" | 25 |

PACKAGING:

| | 1/2" |
|-------------------|-----------------|
| CODE | 77560004 |
| PIECES PER BOX | — |
| PIECES PER CARTON | 150 |