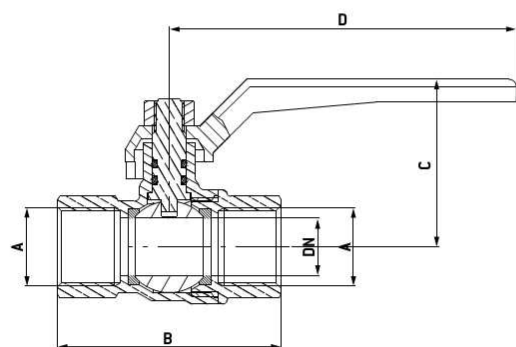
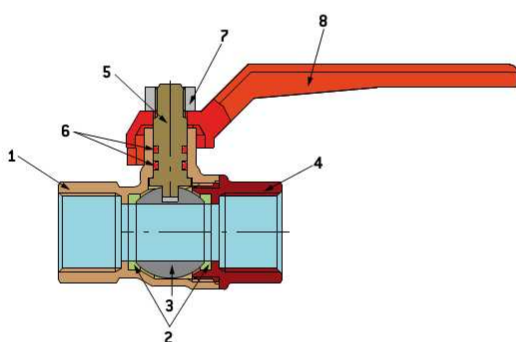


7951...

MISSOURI

WATER BALL VALVES



- F/F water ball valve with aluminium lever
- Thread: EN10226-1 (ex ISO 7/1)
- Temperature range: -10°C to $+95^{\circ}\text{C}$

This valve is particularly indicated for distributing and shutting off generally non-corrosive fluids that are compatible with the valve materials.

Excellent fields of application are in plant engineering for plumbing and heating, industry and agriculture.

It is a full-bore valve, and ball seal is provided by two PTFE seats.

Seal of the stem is provided by two NBR O-rings with the stem mounted from inside and a bottom-loaded system.

It is advisable to perform a complete manoeuvring cycle at least once every 3 months to prevent the formation of limescale, which would affect operation.

COMPONENTS:

POSN.	PART NAME	No. Pcs.	MATERIAL
1	Body	1	CW617N UNI-EN 12165 Nickel-plated
2	Seal	2	PTFE
3	Ball	1	CW617N UNI-EN 12165 Chrome-plated
4	End connection	1	CW617N UNI-EN 12165 Nickel-plated
5	Stem	1	CW617N UNI-EN 12164
6	O-ring	2	NBR
7	Nut	1	Galvanised iron
8	Lever	1	Lacquered aluminium

DIMENSIONS:

DN	A	B	C	D	PN	KV*
10	Rp 3/8"	51	40	92	40	—
15	Rp 1/2"	59	43	92	40	10,05
20	Rp 3/4"	68	52	115	40	21,57
25	Rp 1"	80	59	115	40	49,14
32	Rp 1.1/4"	96	69	125	30	68,65
40	Rp 1.1/2"	106	81	150	30	98,83
50	Rp 2"	130	89	150	30	177,04

*PRESSURE DROP see chart on page 52-53

PACKAGING:

	Rp 3/8"	Rp 1/2"	Rp 3/4"	Rp 1"	Rp 1.1/4"	Rp 1.1/2"	Rp 2"
CODE	79510203	79510204	79510206	79510208	79510210	79510211	79510213
PIECES PER BOX	20	15	12	8	—	—	—
PIECES PER CARTON	200	180	120	72	25	16	12