

7960...

MISSOURI

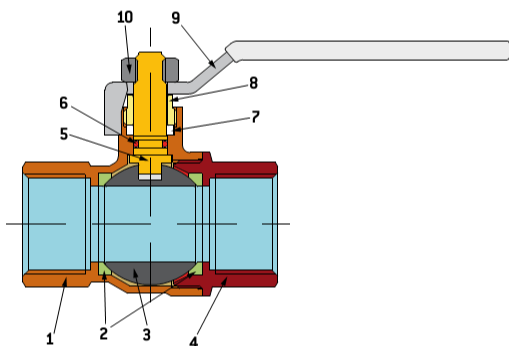
WATER BALL VALVES



- DZR F/F water ball valve with iron lever
- Thread: ISO 228
- Temperature range:  $-10^{\circ}\text{C}$  to  $+120^{\circ}\text{C}$

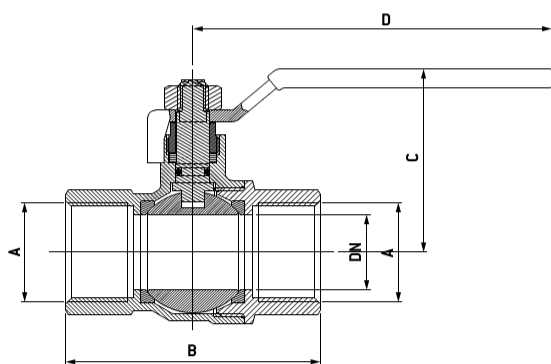
This valve is particularly indicated for distributing and shutting off fluids that can cause dezincification problems. Excellent fields of application are in plant engineering for plumbing and heating, and industry. It is a full-bore valve, and ball seal is provided by two PTFE seats. Adjustable stem packing is provided by one EPDM Perox o-ring and a PTFE packing gland.

The stem is mounted from inside with a bottom-loaded system. It is advisable to perform a complete manoeuvring cycle at least once every 3 months to prevent the formation of limescale, which would affect operation.



#### COMPONENTS:

POSN.	PART NAME	No. Pcs.	MATERIAL
1	Body	1	CW602N UNI-EN 12165
2	Seal	2	PTFE
3	Ball	1	CW602N UNI-EN 12165 Chrome-plated
4	End connection	1	CW602N UNI-EN 12165
5	Stem	1	CW602N UNI-EN 12165
6	O-ring	1	EPDM PEROX
7	Gland packing	1	PTFE
8	Gland	1	CW617N UNI-EN 12164
9	Lever	1	Galvanised iron and PVC coated
10	Nut	1	Galvanised iron



#### DIMENSIONS:

DN	A	B	C	D	PN	*KV
10	3/8"	51	40	95	40	—
15	1/2"	59	42	95	40	10,05
20	3/4"	68	47	95	40	21,57
25	1"	80	58	120	40	49,14
32	1.1/4"	96	67	120	30	68,65
40	1.1/2"	106	83	150	30	98,83
50	2"	130	90	150	30	177,04

\*PRESSURE DROP see chart on page 52-53

#### PACKAGING:

	3/8"	1/2"	3/4"	1"	1.1/4"	1.1/2"	2"
CODE	79600103W	79600104W	79600106W	79600108W	79600110W	79600111W	79600113W
PIECES PER BOX	20	15	10	8	—	—	—
PIECES PER CARTON	200	150	120	72	25	16	12