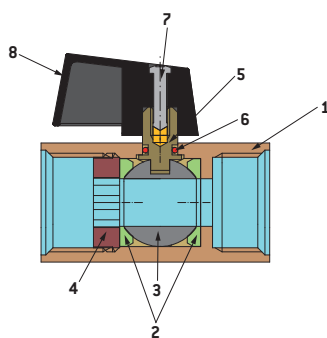


7700...**NIAGARA**

Water ball valves



- F/F Mini-ball with lever
- Thread: ISO 228
- Nominal pressure: max 10 bar
- Temperature range: -10°C to $+90^{\circ}\text{C}$

This valve is particularly indicated for distributing and shutting off generally non-corrosive fluids that are compatible with the valve materials.

Excellent fields of application are in plant engineering for plumbing and heating, and industry, when it is necessary to have a shut-off element with reduced dimensions.

It is a reduced-bore valve, and ball seal is provided by two PTFE seats.

Seal of the stem is provided by an NBR O-ring with the stem mounted from inside and a bottom-loaded system.

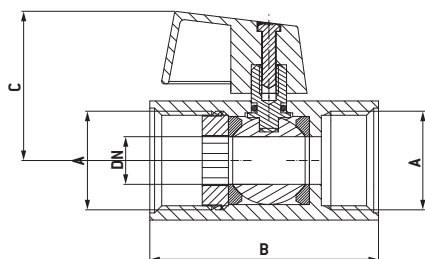
It is advisable to perform a complete manoeuvring cycle at least once every 3 months to prevent the formation of limescale, which would affect operation.

Components:

POSN.	PART NAME	No.	MATERIAL
1	Body	1	CW614N UNI-EN 12164 Chrome-plated
2	Seal	2	PTFE
3	Ball	1	CW614N UNI-EN 12164 Nickel-plated
4	Ring	1	CW614N UNI-EN 12164
5	Stem	1	CW614N UNI-EN 12164 Nickel-plated
6	O-ring	2	NBR
7	Screw	1	CIR UNI 947-72
8	Black plastic lever	1	Glass-filled nylon 66

Dimensions:

DN	A	B	C
8	1/4"	39	27
8	3/8"	42	27
10	1/2"	47	29
12	3/4"	54	31,5

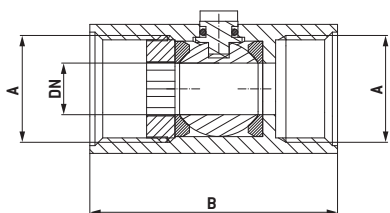
**Packaging/price:**

	1/4"	3/8"	1/2"	3/4"
PIECES PER BOX	30	30	20	15
PIECES PER CARTON	300	300	200	150
PRICE	2,01	1,96	2,27	3,54

NIAGARA

7710...**NIAGARA**

Water ball valves



- F/F mini-ball with screwdriver slot
- Thread: ISO 228
- Temperature range: -10°C to +90°C

Dimensions:

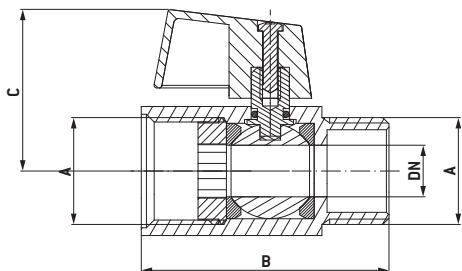
DN	A	B
8	1/4"	39
8	3/8"	42
10	1/2"	47
12	3/4"	54

Packaging/price:

	1/4"	3/8"	1/2"	3/4"
PIECES PER BOX	30	30	20	15
PIECES PER CARTON	300	300	200	150
PRICE	2,01	1,96	2,27	3,54

7720...**NIAGARA**

Water ball valves



- M/F mini-ball with lever
- Thread: ISO 228
- Temperature range: -10°C to +90°C

Dimensions:

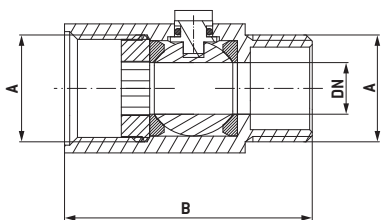
DN	A	B	C
8	1/4"	39	27
8	3/8"	40	27
10	1/2"	45	29
12	3/4"	51	31,5

Packaging/price:

	1/4"	3/8"	1/2"	3/4"
PIECES PER BOX	30	30	25	15
PIECES PER CARTON	300	300	250	150
PRICE	2,01	1,96	2,27	3,54

7730...**NIAGARA**

Water ball valves



- M/F mini-ball with screwdriver slot
- Thread: ISO 228
- Temperature range: -10°C to +90°C

Dimensions:

DN	A	B
8	1/4"	39
8	3/8"	40
10	1/2"	45
12	3/4"	51

Packaging/price:

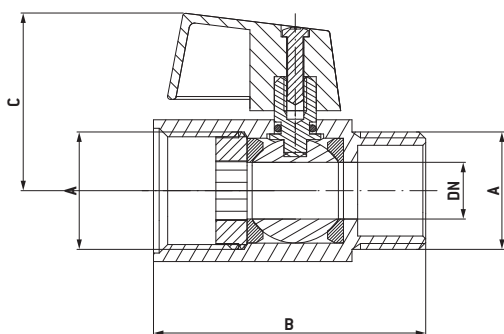
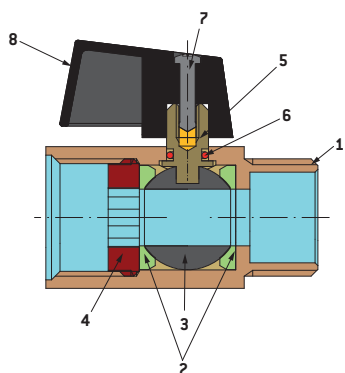
	1/4"	3/8"	1/2"	3/4"
PIECES PER BOX	30	30	25	15
PIECES PER CARTON	300	300	250	150
PRICE	2,01	1,96	2,27	3,54

NIAGARA

7735...

MINI-BALL DZR

Water ball valves



- M/F mini-ball - DZR with lever
- Thread: ISO 228
- Nominal pressure: max 16 bar
- Temperature range: -10°C to $+90^{\circ}\text{C}$

This valve is particularly indicated for distributing and shutting off fluids that can cause dezincification problems.

Excellent fields of application are in plant engineering for plumbing and heating, and industry, when it is necessary to have a shut-off element with reduced dimensions.

It is a reduced-bore valve, and ball seal is provided by two PTFE seats.

Seal of the stem is provided by an NBR O-ring with the stem mounted from inside and a bottom-loaded system.

It is advisable to perform a complete manoeuvring cycle at least once every 3 months to prevent the formation of limescale, which would affect operation.

Components:

POSN.	PART NAME	No.	MATERIAL
1	Body	1	CW602N UNI-EN 12165 Chrome-plated
2	Seal	2	PTFE
3	Ball	1	CW602N UNI-EN 12165 Nickel-plated
4	Ring	1	CW602N UNI-EN 12165
5	Stem	1	CW602N UNI-EN 12165 Nickel-plated
6	O-ring	2	NBR
7	Screw	1	CIR UNI 947-72
8	Black plastic lever	1	Glass- charged nylon 66

Dimensions:

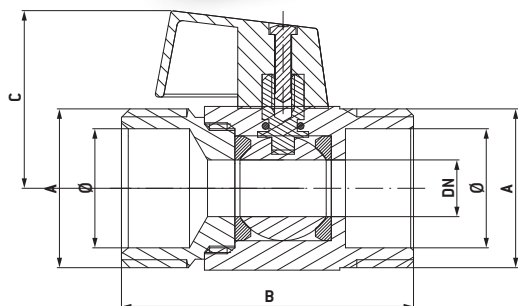
DN	A	B	C
8	3/8"	40	27
10	1/2"	45	29

Packaging/price:

	3/8"	1/2"
PIECES PER BOX	10	10
PIECES PER CARTON	150	150
PRICE	3,17	3,39

7736...**MINI-BALL DZR**

Water ball valves



- M/M mini-ball - DZR with lever
- Thread: ISO 228
- Temperature range: -10°C to +90°C

Dimensions:

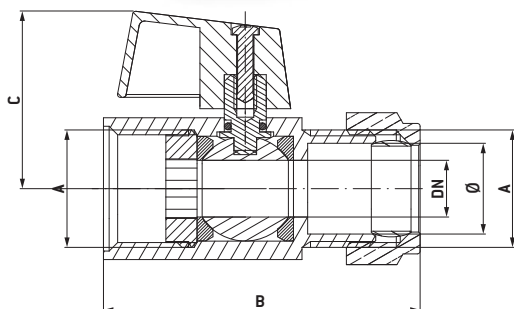
DN	A	Ø	B	C
10	1/2"	15	44,4	28

Packaging/price:

	1/2"
PIECES PER BOX	10
PIECES PER CARTON	150
PRICE	3,67

7737...**MINI-BALL DZR**

Water ball valves



- F mini-ball with compression end - DZR with lever
- Thread: ISO 228
- Temperature range: -10°C to +90°C

Dimensions:

DN	A	Ø	B	C
10	1/2"	12	52,5	29
10	1/2"	15	52,5	29

Packaging/price:

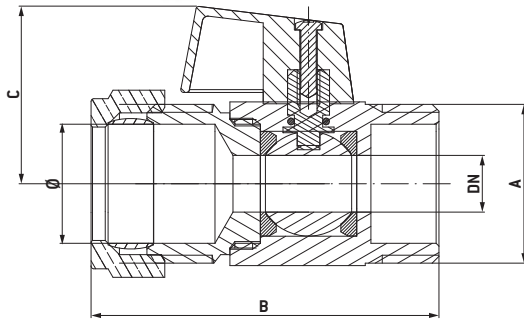
	1/2" - Ø 12	1/2" - Ø 15
PIECES PER BOX	10	10
PIECES PER CARTON	150	150
PRICE	4,15	4,39

MINI-BALL

MINI-BALL

7738...**MINI-BALL DZR**

Valvola a Ball per acqua



- M mini-ball with compression end - DZR with lever
- Thread: ISO 228
- Temperature range: -10°C to +90°C

Dimensions:

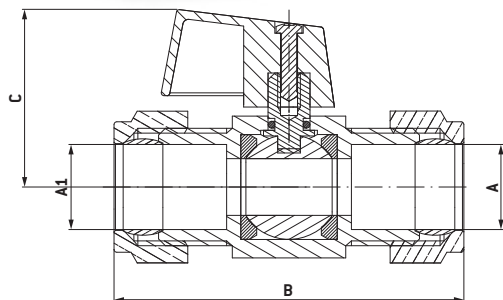
DN	A	Ø	B	C
10	1/2"	15	51	28

Packaging/price:

	1/2"
PIECES PER BOX	10
PIECES PER CARTON	150
PRICE	4,39

7739...**MINI-BALL DZR**

Water ball valves



- Mini-ball with compression ends - DZR with lever
- Temperature range: -10°C to +90°C

Dimensions:

A	A1	B	C
10	10	59	27,6
12	10	57,8	27,6
12	12	58	27,6
15	10	58	27,6
15	12	61,3	27,6
15	15	61,3	27,6

Packaging/price:

	10 - Ø 10	12 - Ø 10	12 - Ø 12	15 - Ø 10	15 - Ø 12	15 - Ø 15
PIECES PER BOX	10	10	10	10	10	10
PIECES PER CARTON	150	240	120	150	120	150
PRICE	4,77	4,80	4,82	4,84	5,08	4,94